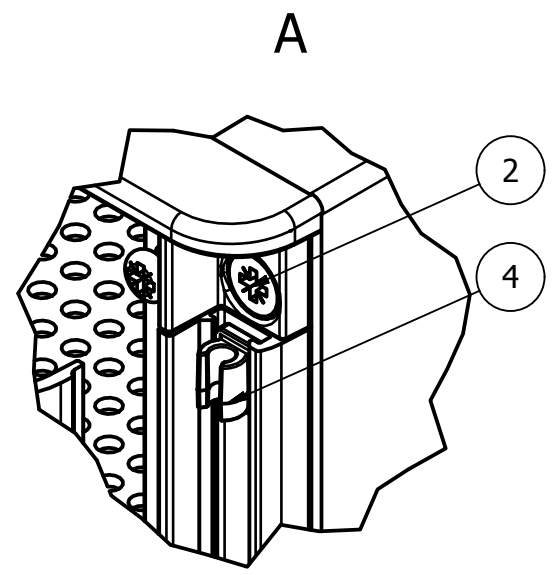
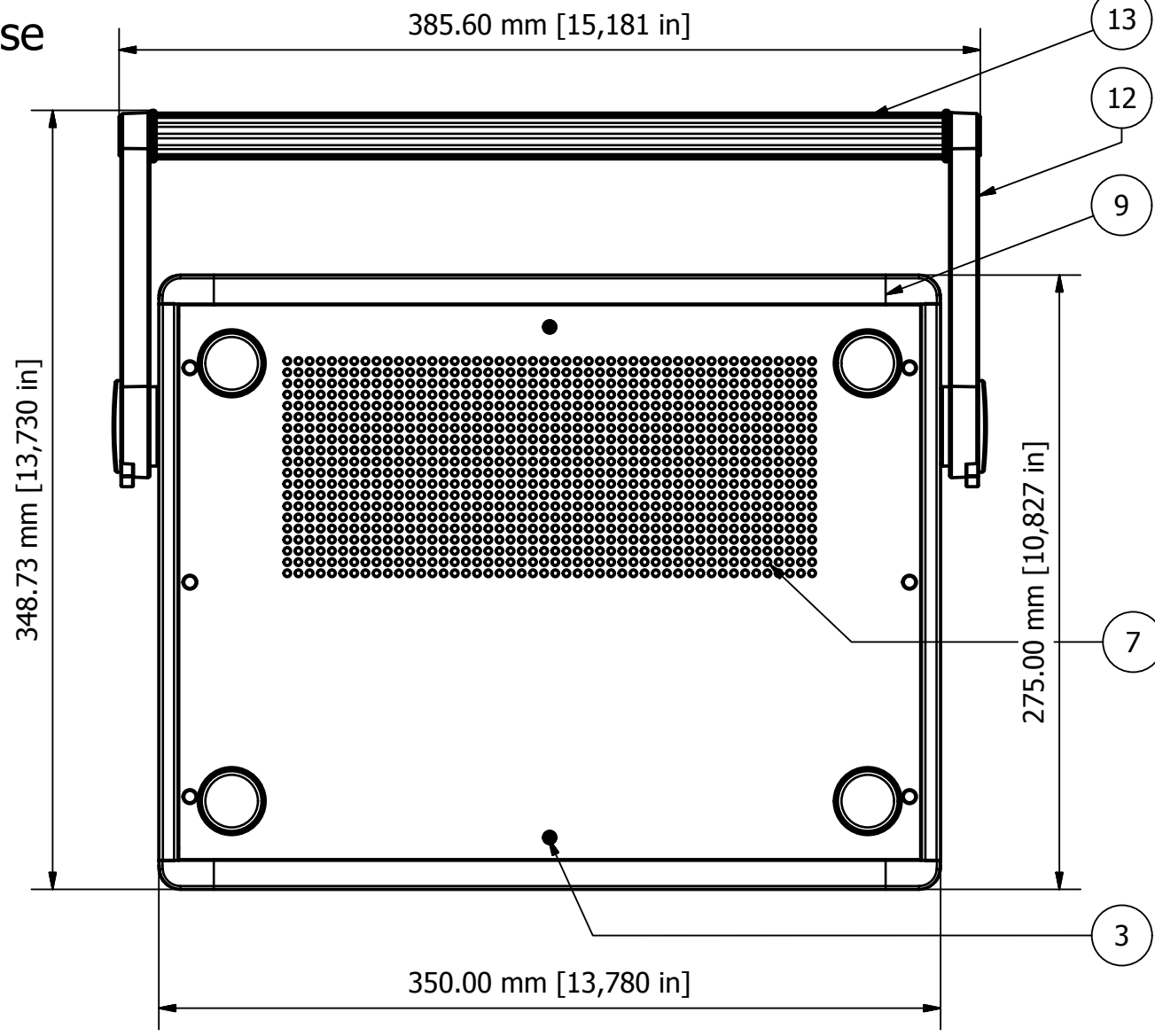
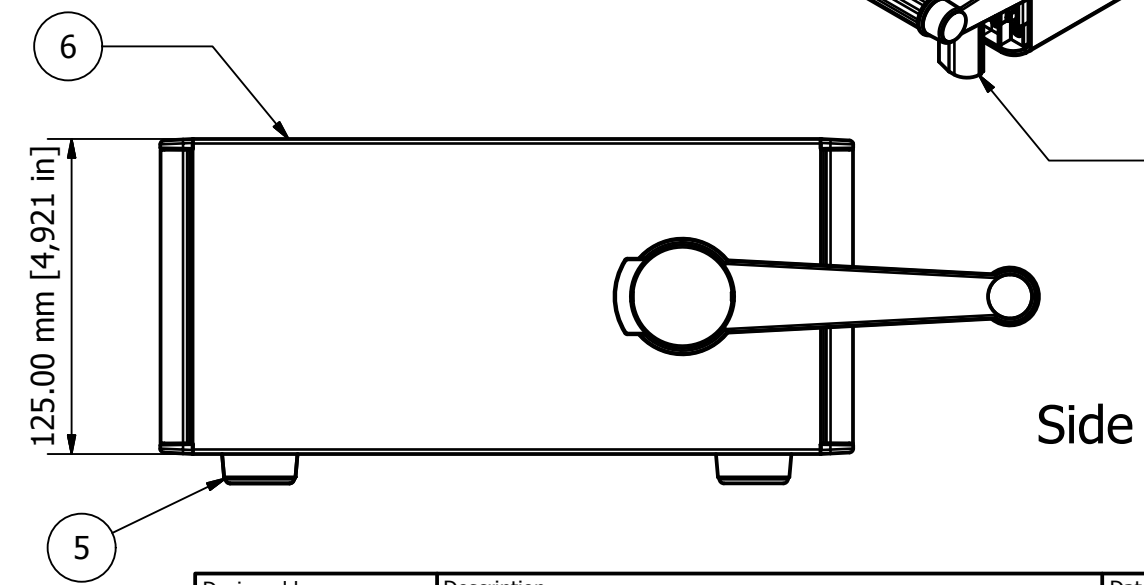
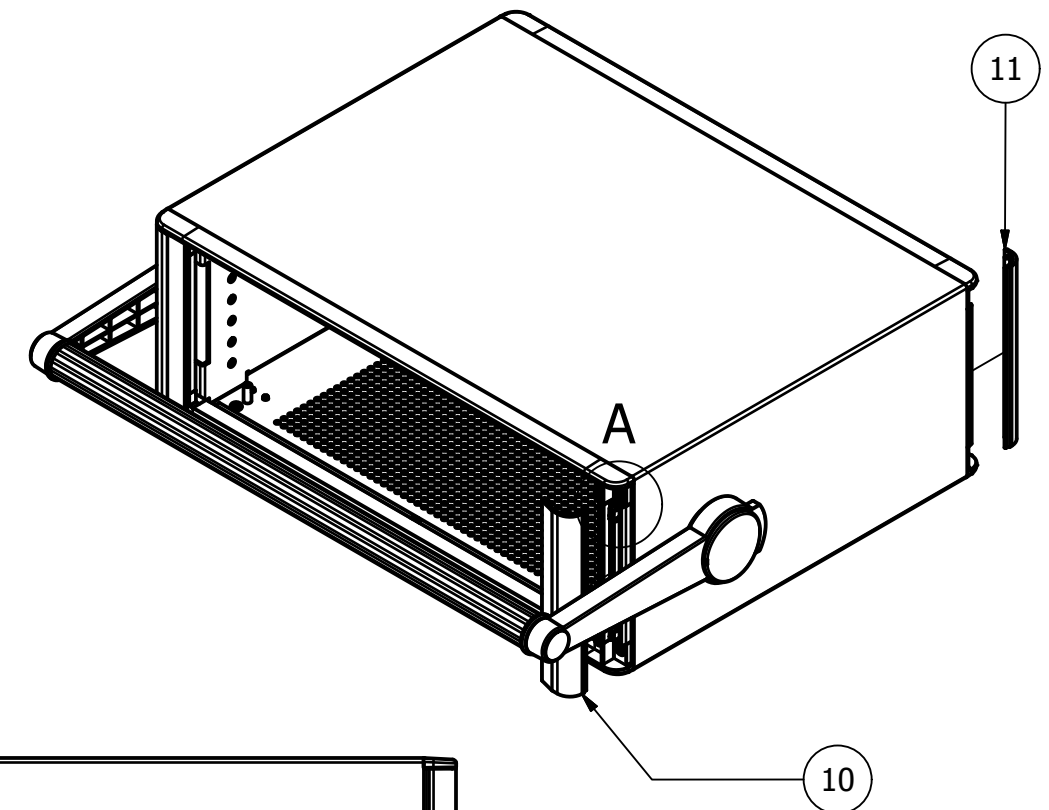
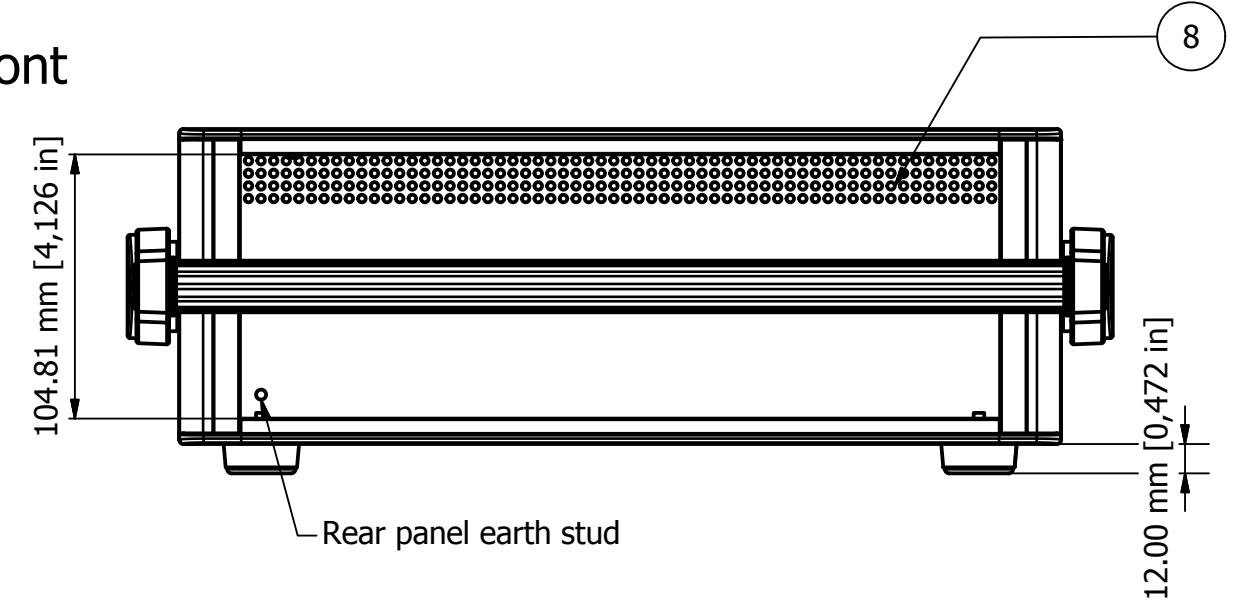


Base



| PARTS LIST |     |             |                              |
|------------|-----|-------------|------------------------------|
| ITEM       | QTY | PART NUMBER | DESCRIPTION                  |
| 1          | 8   | M3x8mm Pan  | Front/Rear Panel Screws      |
| 2          | 8   | M4x16mm CSK | Bezel Assembly Screws        |
| 3          | 2   | M3x6mm CSK  | Base Panel Screws            |
| 4          | 8   | M6420000    | Clips for Trims              |
| 5          | 4   | M6420104    | Technofeet                   |
| 6          | 1   | M6402724    | Wrap Around Cover            |
| 7          | 1   | M6403374    | Base/Internal Sides Sub-Assy |
| 8          | 1   | M6403474    | Rear Panel - 1.5 mm thick    |
| 9          | 2   | M6401074    | Front/Rear Bezel             |
| 10         | 2   | M6400054    | Front Trim                   |
| 11         | 2   | M6400074    | Rear Trim                    |
| 12         | 2   | AS055782    | Bail Arm Kit                 |
| 13         | 1   | M6404354    | Handle Bar                   |

Front



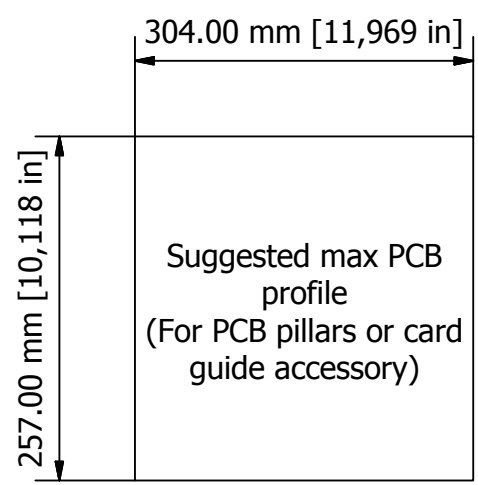
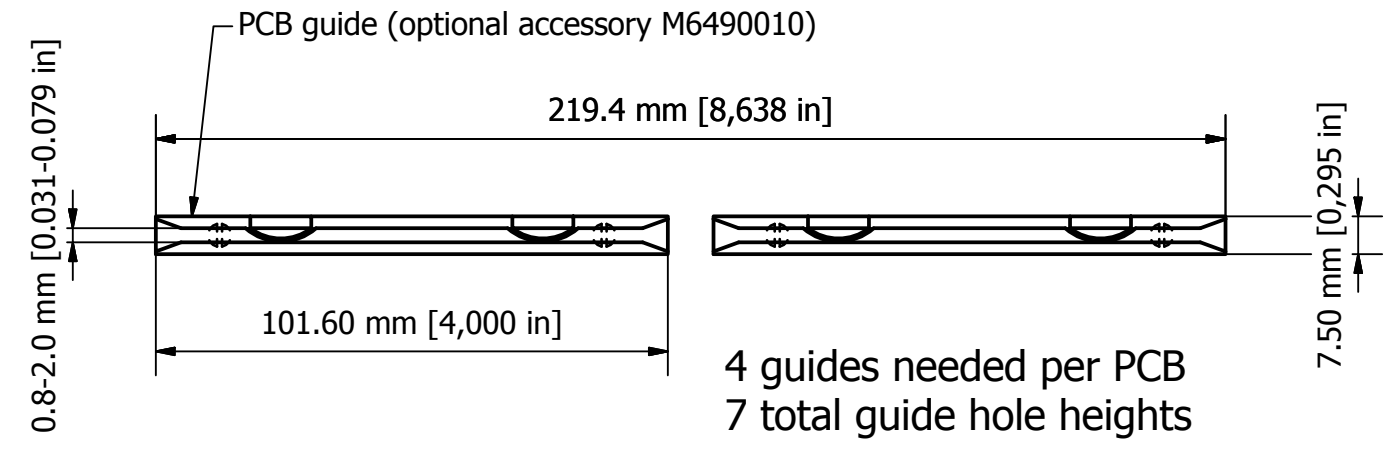
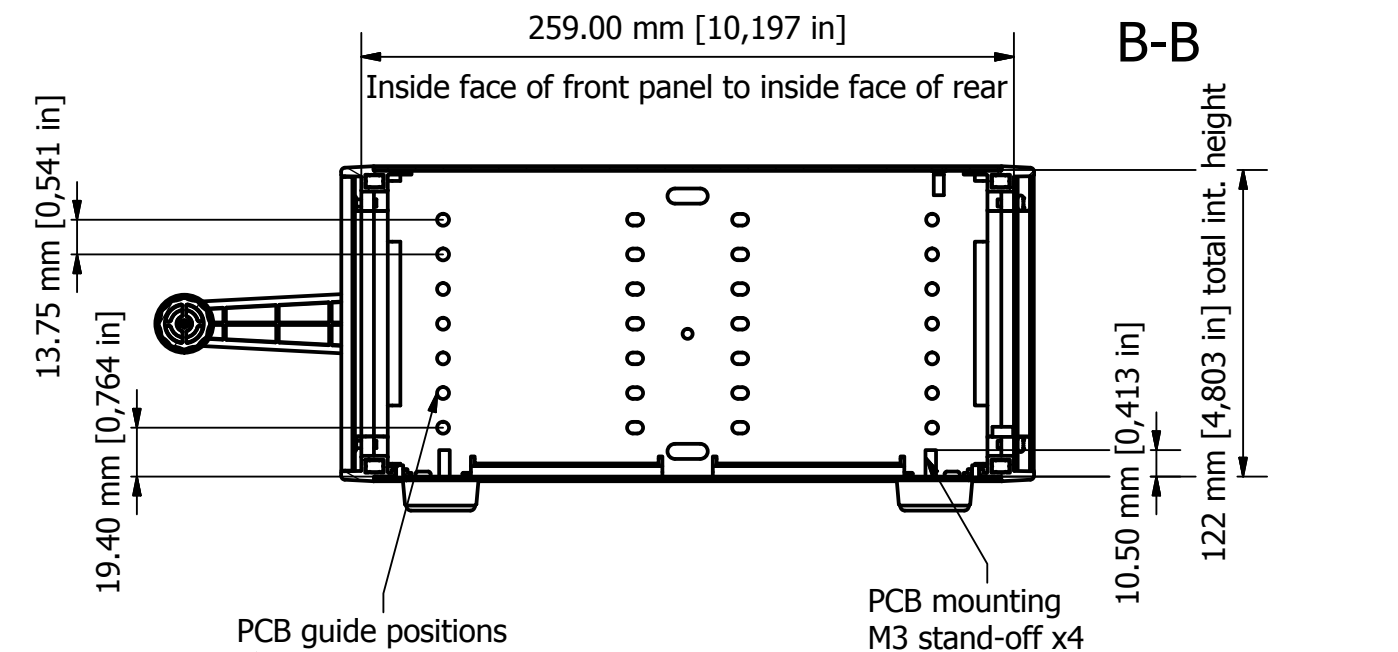
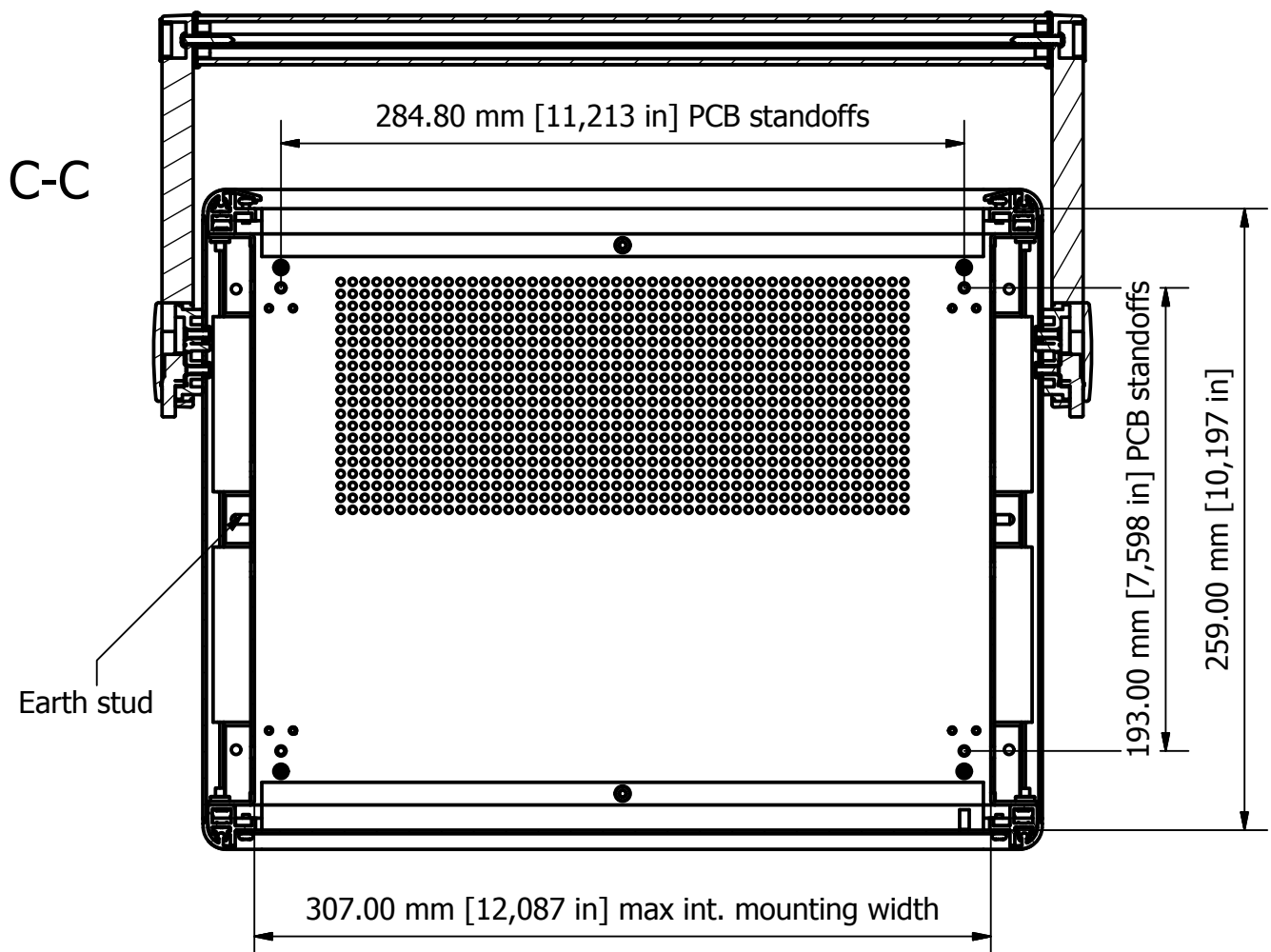
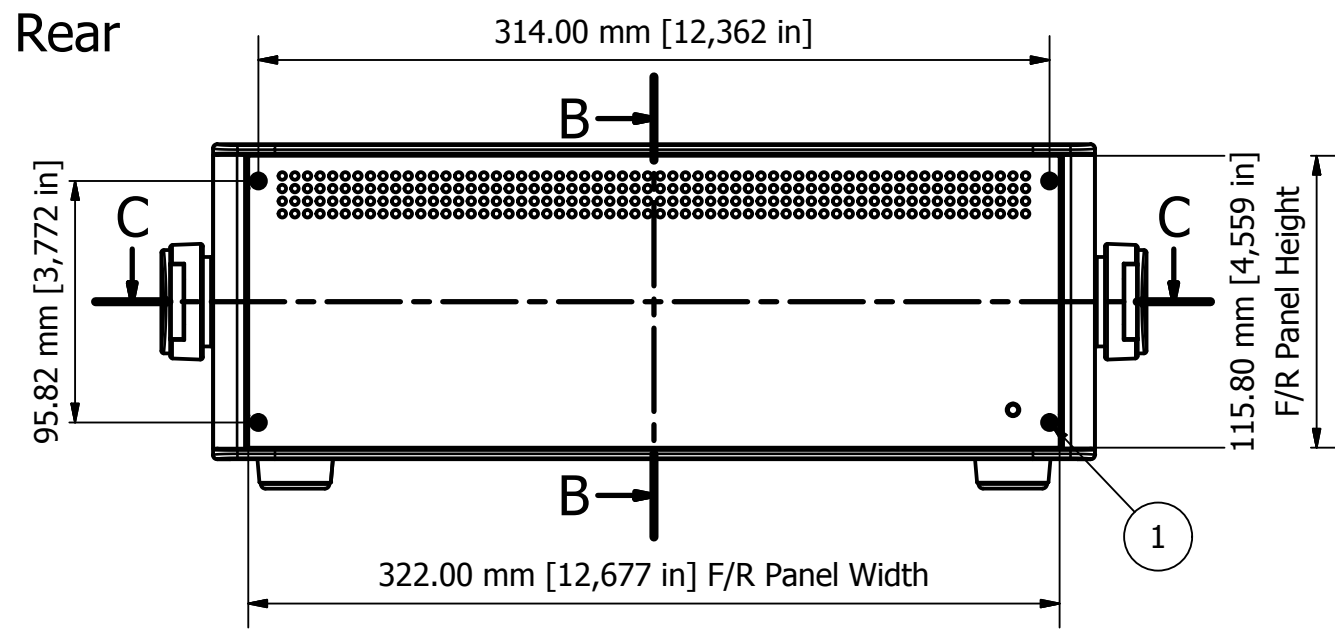
Side

FIRST ANGLE PROJECTION

Front panel (M6400706) sold separately

© OKW Enclosures Ltd (Date as shown). This drawing contains proprietary information of OKW Enclosures Ltd and is tendered subject to the following conditions. The information be retained in confidence, not be reproduced or copied, and not be used or incorporated in any product, unless permission is obtained in writing from OKW Enclosures Ltd.

|                                                                                                                                                          |                                                      |                                                                   |                |
|----------------------------------------------------------------------------------------------------------------------------------------------------------|------------------------------------------------------|-------------------------------------------------------------------|----------------|
| Designed by<br>L Clark                                                                                                                                   | Description<br>Technomet R312H - Anthracite RAL 7016 | Date<br>24/10/2016                                                | Scale<br>1:3   |
| <b>METCASE ENCLOSURES</b><br>15 Brunel Way, Segensworth East, Fareham,<br>Hampshire, PO15 5TX, UK.<br>Tel: +44 (0)1489 583858 Email: sales@metcase.co.uk |                                                      | <b>METcase™</b> www.metcase.com<br>Part Number<br><b>M6435234</b> |                |
|                                                                                                                                                          |                                                      | Issue<br>1                                                        | Sheet<br>1 / 2 |



- Notes:
- 1) Case is fabricated from 1.5 mm aluminium sheet with diecast and extrusion bezels.
  - 2) Case is powder coat painted RAL 7016 fine texture anthracite.
  - 3) Supplied with 4 colour matching Technofeet.
  - 4) Cover, rear and chassis assembly all have M4 x 8 mm earth studs.
  - 5) Front panel screws supplied with each case. (M3 x 8 mm pan).

FIRST ANGLE PROJECTION

|                        |                                                      |                    |              |
|------------------------|------------------------------------------------------|--------------------|--------------|
| Designed by<br>L Clark | Description<br>Technomet R312H - Anthracite RAL 7016 | Date<br>24/10/2016 | Scale<br>1:3 |
|------------------------|------------------------------------------------------|--------------------|--------------|

**METCASE ENCLOSURES**  
 15 Brunel Way, Segensworth East, Fareham,  
 Hampshire, PO15 5TX, UK.  
 Tel: +44 (0)1489 583858 Email: sales@metcase.co.uk

|                                   |                         |            |                |
|-----------------------------------|-------------------------|------------|----------------|
| <b>METcase</b><br>www.metcase.com | Part Number<br>M6435234 | Issue<br>1 | Sheet<br>2 / 2 |
|-----------------------------------|-------------------------|------------|----------------|

© OKW Enclosures Ltd (Date as shown). This drawing contains proprietary information of OKW Enclosures Ltd and is tendered subject to the following conditions. The information be retained in confidence, not be reproduced or copied, and not be used or incorporated in any product, unless permission is obtained in writing from OKW Enclosures Ltd.