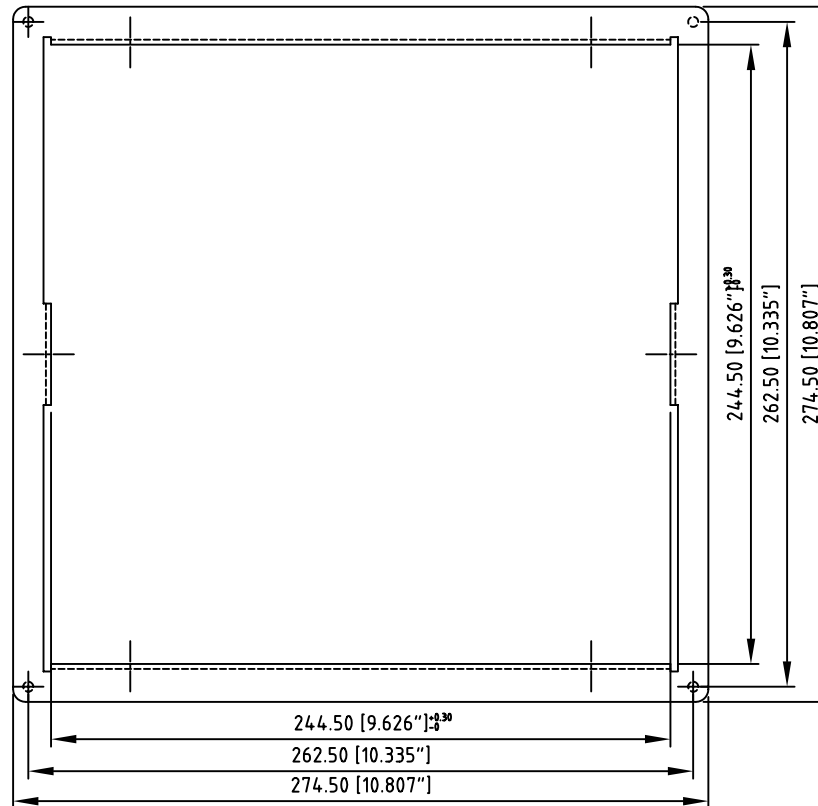
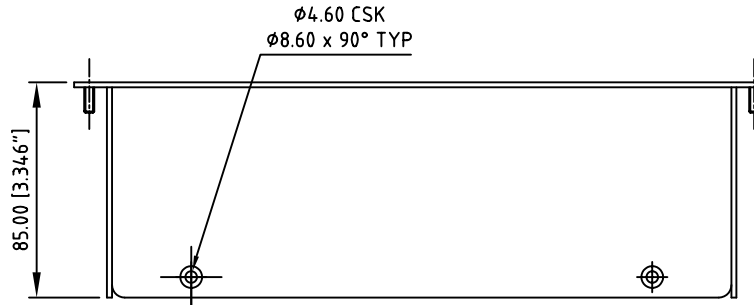
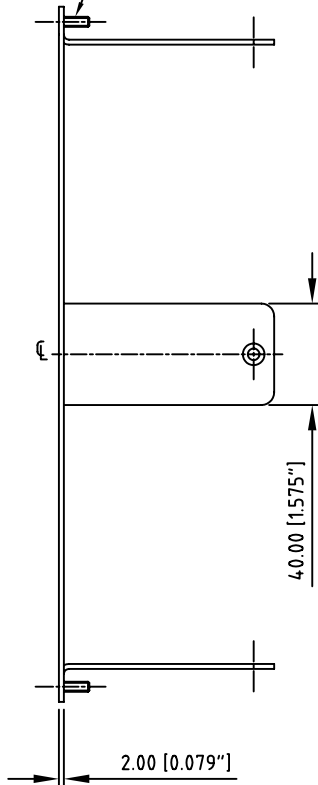


FIRST ANGLE PROJECTION

Note: Subject to technical modifications without prior notice.
 Typographical and other errors do not justify any claim for damages.
 All dimensions should be verified using the actual case.

M4 x 12 Press Stud TYP
 (4 x M4 Nut included)



Panel Aperture = 250.00 x 250.00

Tolerances unless otherwise stated: General tolerances ±0.20 Resultant tolerances between hole centers ±0.15 Tolerances on hole diameters ±0.05 Angles ± 0.5° Surface finish 32/	Required Finish: Etch & Clear Anodise	Scale: 1:2 Drawn by: Ian Cox	ALL DIMENSIONS IN MILLIMETRES			DO NOT SCALE
	Checked By:	Drawing Number M5225101	Date drawn: August '05	Material Spec. 2mm aluminium		
www.metcase.com		METcase METCASE ENCLOSURES Unit 3, Mitchell Close Segensworth East, Fareham, Hampshire, PO15 5SE, UK.		Part Name Panel Mounting Frame "M"		Sheet 1 of 1
				Part Number M5225101		
<small>©OKW ENCLOSURES LTD (DATE AS SHOWN). THIS DRAWING CONTAINS PROPRIETARY INFORMATION OF OKW ENCLOSURES LTD AND IS TENDERED SUBJECT TO THE FOLLOWING CONDITIONS: THE INFORMATION BE RETAINED IN CONFIDENCE, NOT BE REPRODUCED OR COPIED, AND NOT BE USED OR INCORPORATED IN ANY PRODUCT, UNLESS PERMISSION IS OBTAINED IN WRITING FROM OKW ENCLOSURES LTD.</small>						

Modifications	Iss
	1