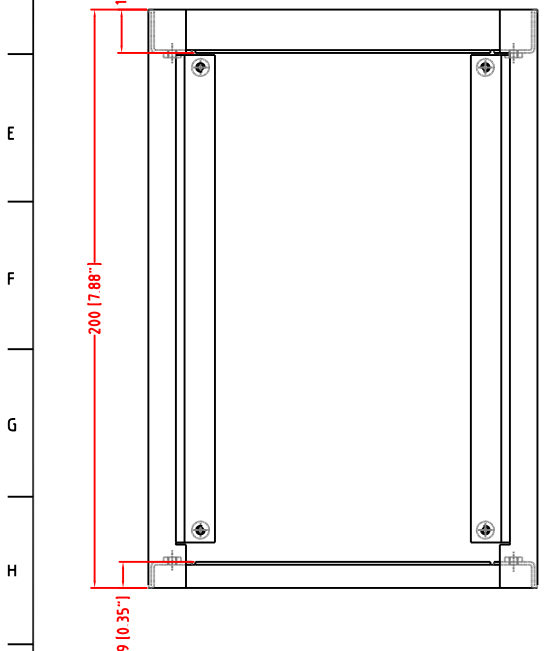
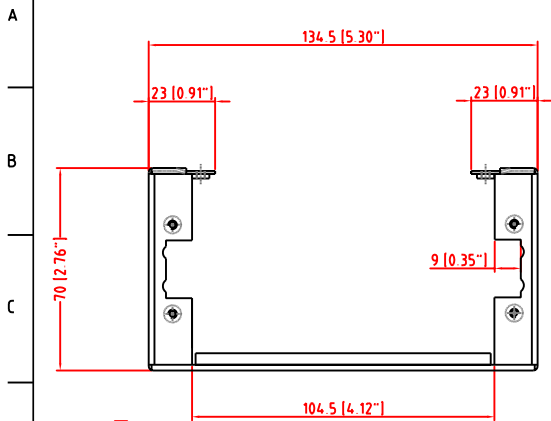
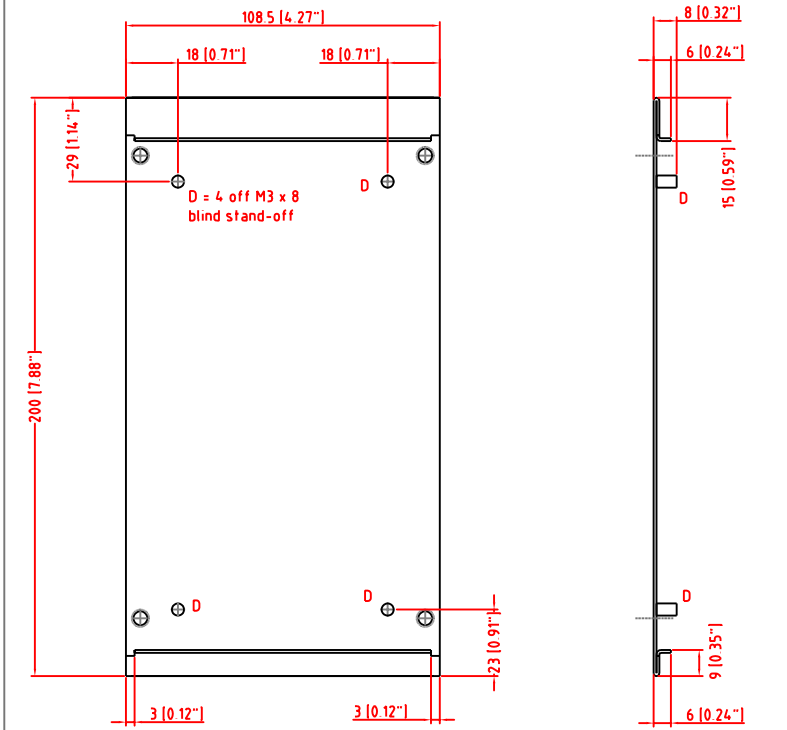
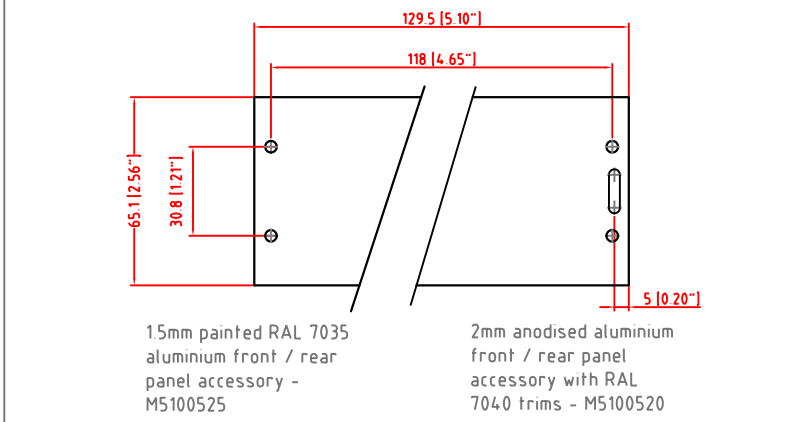
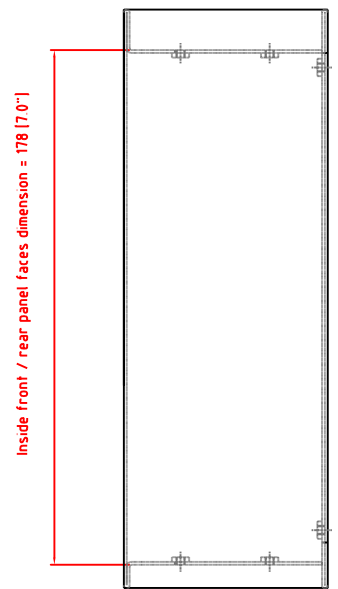


FIRST ANGLE PROJECTION



Cover made from 1mm aluminium.



Base made from 1mm aluminium.

Front & rear panels are not included with the standard case. Choose the required type as an accessory - see above.

Note: Subject to technical modifications without prior notice. Typographical and other errors do not justify any claim for damages. All dimensions should be verified using the actual case.

Tolerances unless otherwise stated:
 General tolerances ±0.20
 Resultant tolerances between hole centers ±0.15
 Tolerances on hole diameters ±0.05
 Angles ± 0.5°
 Surface finish 32/

Required Finish: Powder paint RAL 7035	Scale: 1:1	ALL DIMENSIONS IN MILLIMETRES (Inches in brackets)			DO NOT SCALE
Drawn by: Ian Cox	Checked By:	Drawing Number:	Date drawn: December '05	Material Spec:	
METcase		METCASE ENCLOSURES Unit 3, Mitchell Close Segensworth East, Fareham, Hampshire, PO15 5SE, UK.		Part Name: Minimet 4	Sheet 1 of 1
www.metcase.com				Part Number: M5113225	
<small>©OKW ENCLOSURES LTD (DATE AS SHOWN). THIS DRAWING CONTAINS PROPRIETARY INFORMATION OF OKW ENCLOSURES LTD AND IS TENDERED SUBJECT TO THE FOLLOWING CONDITIONS: THE INFORMATION BE RETAINED IN CONFIDENCE, NOT BE REPRODUCED OR COPIED, AND NOT BE USED OR INCORPORATED IN ANY PRODUCT, UNLESS PERMISSION IS OBTAINED IN WRITING FROM OKW ENCLOSURES LTD</small>					

Modifications	Iss
	1