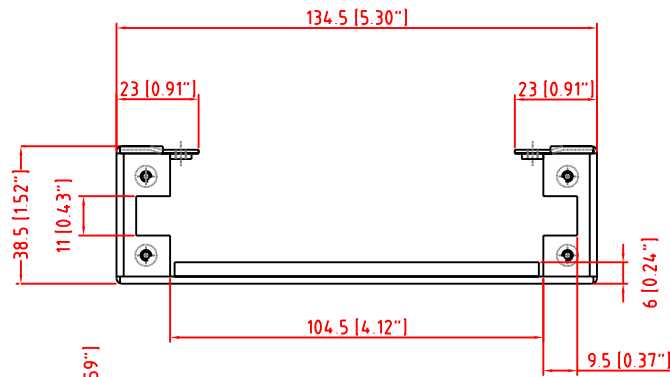
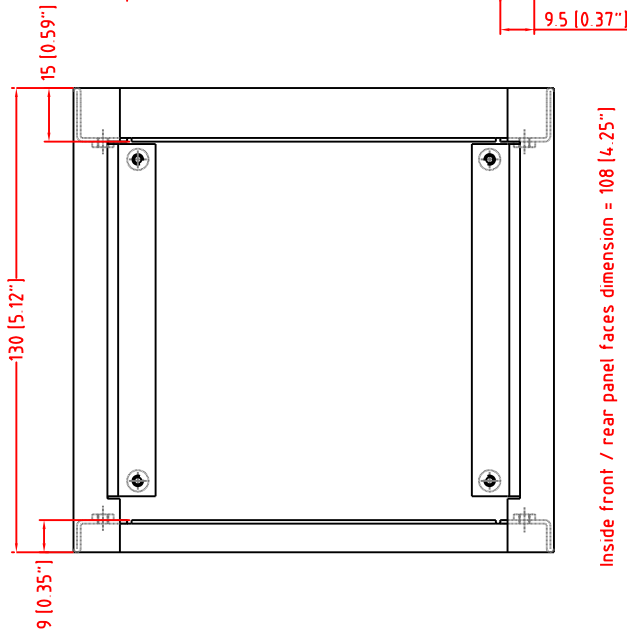


FIRST ANGLE PROJECTION

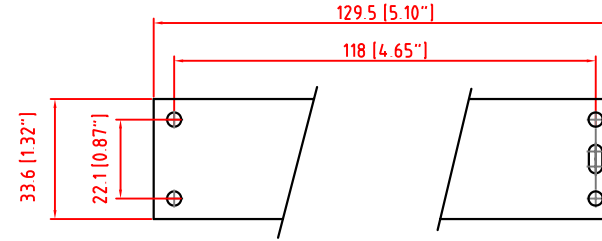


Cover made from 1mm aluminium.



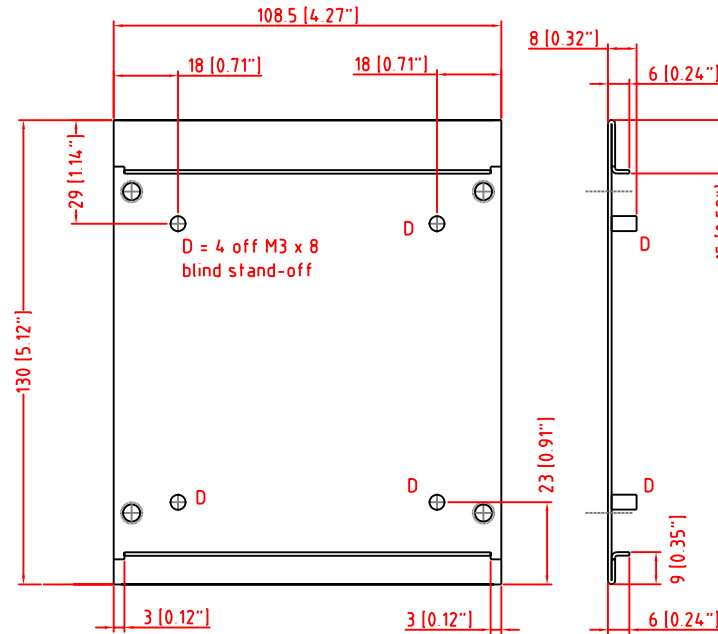
Inside front / rear panel faces dimension = 108 [4.25\"/>

Front & rear panels are not included with the standard case. Choose the required type as an accessory - see above.



1.5mm painted RAL 7035 aluminium front / rear panel accessory - M5100515

2mm anodised aluminium front / rear panel accessory with RAL 7040 trims - M5100510



Base made from 1mm aluminium.

Modifications	Iss
	1

Note: Subject to technical modifications without prior notice. Typographical and other errors do not justify any claim for damages. All dimensions should be verified using the actual case.

Tolerances unless otherwise stated: General tolerances ±0.20 Resultant tolerances between hole centers ±0.15 Tolerances on hole diameters ±0.05 Angles ± 0.5° Surface finish 32/	Required Finish Powder paint RAL 7035	Scale: 1:1 Drawn By: Ian Cox	ALL DIMENSIONS IN MILLIMETRES (Inches in brackets)		DO NOT SCALE
	METcase www.metcase.com		Checked By:	Drawing Number	Date drawn: December '05
METCASE ENCLOSURES Unit 3, Mitchell Close Segensworth East, Fareham, Hampshire, PO15 5SE, UK.			Part Name Minimet 1	Part Number M5113115	Material Spec.
<small>OKW ENCLOSURES LTD (DATE AS SHOWN). THIS DRAWING CONTAINS PROPRIETARY INFORMATION OF OKW ENCLOSURES LTD AND IS TENDERED SUBJECT TO THE FOLLOWING CONDITIONS: THE INFORMATION BE RETAINED IN CONFIDENCE, NOT BE REPRODUCED OR COPIED, AND NOT BE USED OR INCORPORATED IN ANY PRODUCT, UNLESS PERMISSION IS OBTAINED IN WRITING FROM OKW ENCLOSURES LTD.</small>					Sheet 1 of 1
					A2